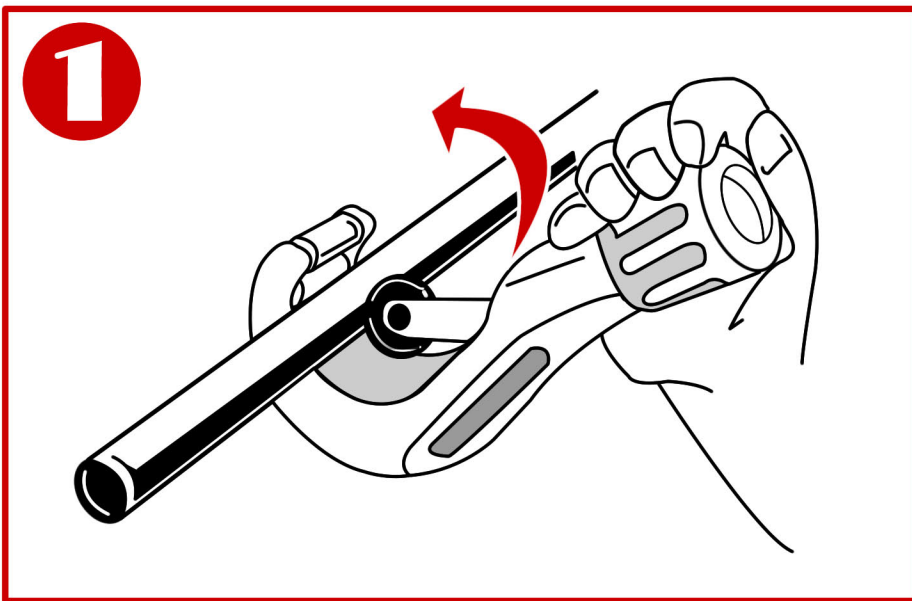
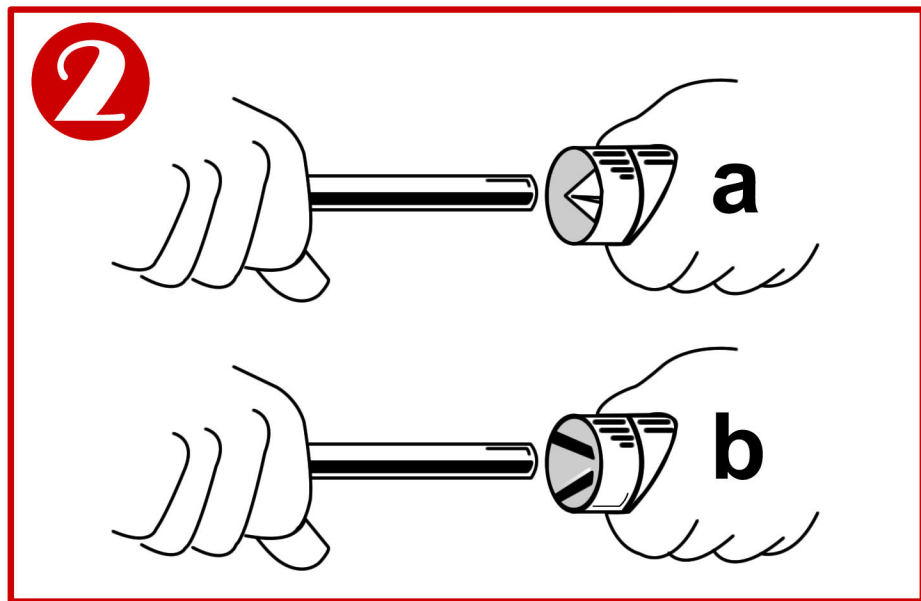


ProBite™ INSTALLATION

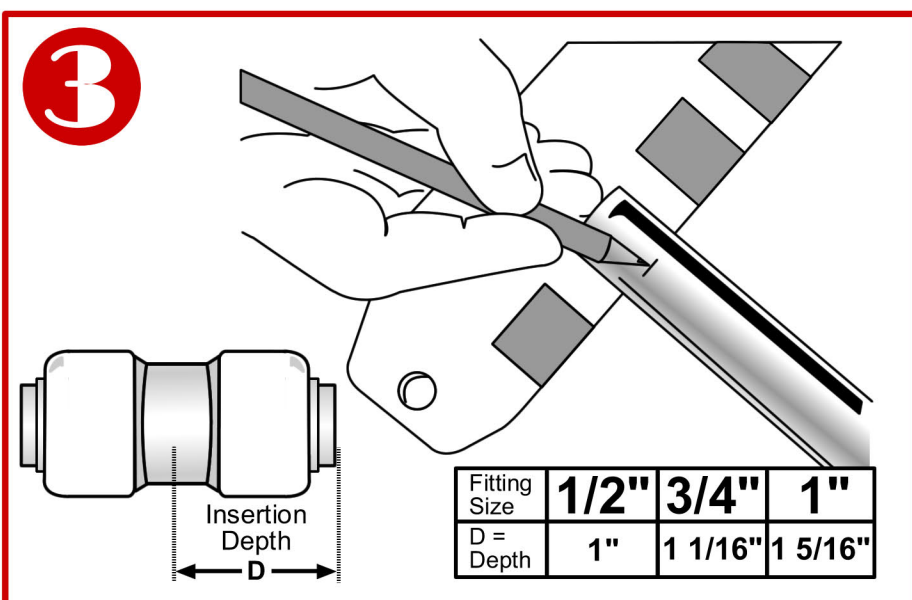
Use on Copper, CPVC and *PEX (*Use a Tube Stiffener for PEX)



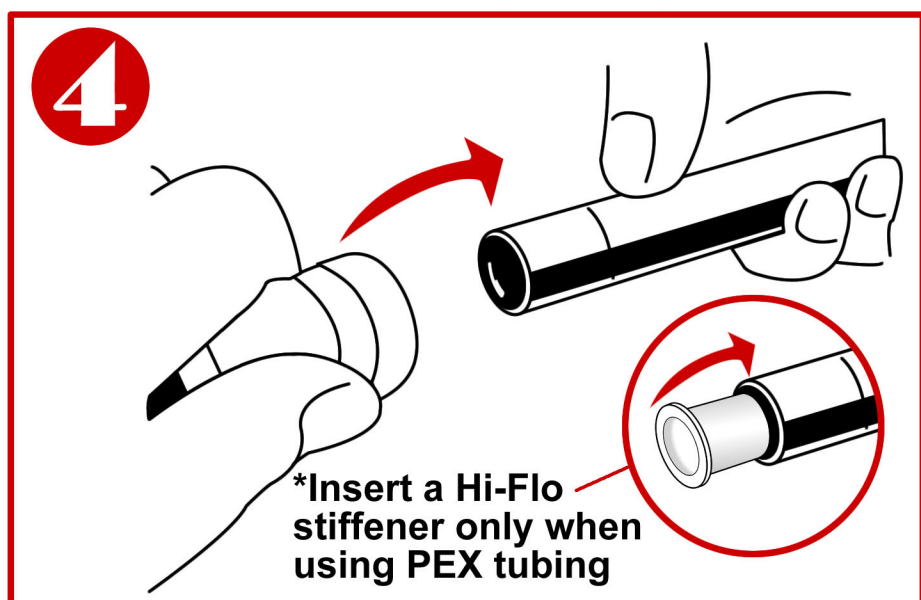
1. Cut the pipe or tubing



2. (2a) Ream, then de-burr (2b)



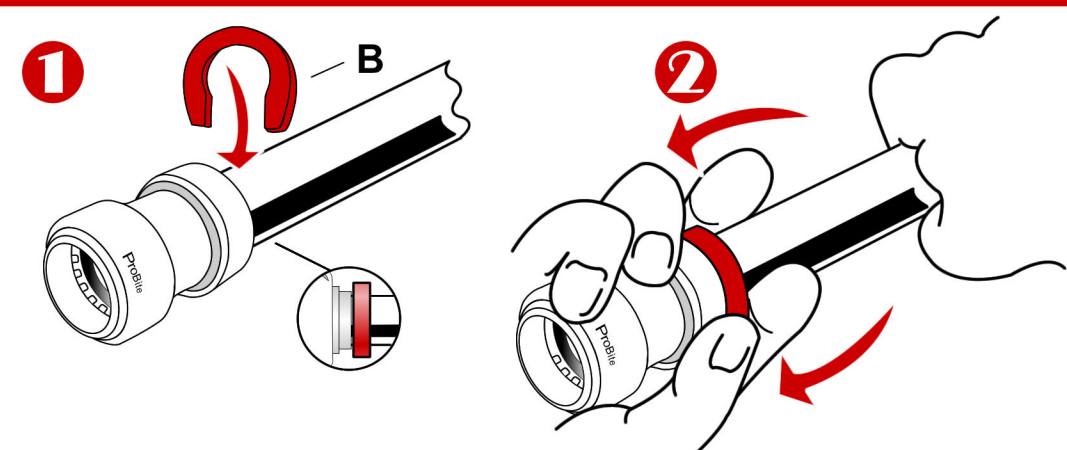
3. Mark the insertion depth



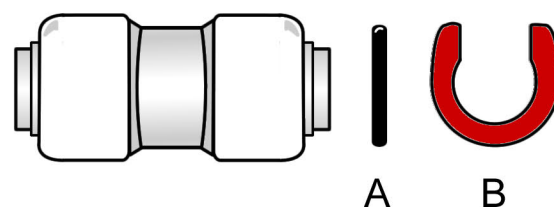
*Insert a Hi-Flo stiffener only when using PEX tubing

4. Insert the pipe or tubing.

Fitting Removal



ProBite sealing O-rings (A) are easily removed and replaced (U.S. & Foreign Patents Pending).



A. Replaceable sealing ring
B. Removal clip

Note: A Quick Fitting Hi-Flo tube stiffener should be used on PEX pipe.

Installation Caution

- Insert only Copper, PEX, CPVC or Stainless Steel tubing into the valves. Do not insert fingers or body parts into the quick connection or grip rings. Immediate emergency medical attention may be required for removal.
- Heat or glues should never be applied in the installation of our quick connection valves. Do not solder within 10" of the valve.
- Tube ends should be clean, round, free from damage, with smooth clean cuts. Any jagged or sharp edges must be removed prior to insertion into the valve.
- When using PEX tubing, some PEX tubing sizes may vary by manufacturer. Inspect the outer diameter and use a tube stiffener to ensure proper installation.
- Water and heating systems should be free from contaminants chemicals, aggressive metals and have a balanced PH level.

Quick Fitting®

www.quickfitting.com

Tel: (877) 238-4826 - Fax: (877) 235-4826